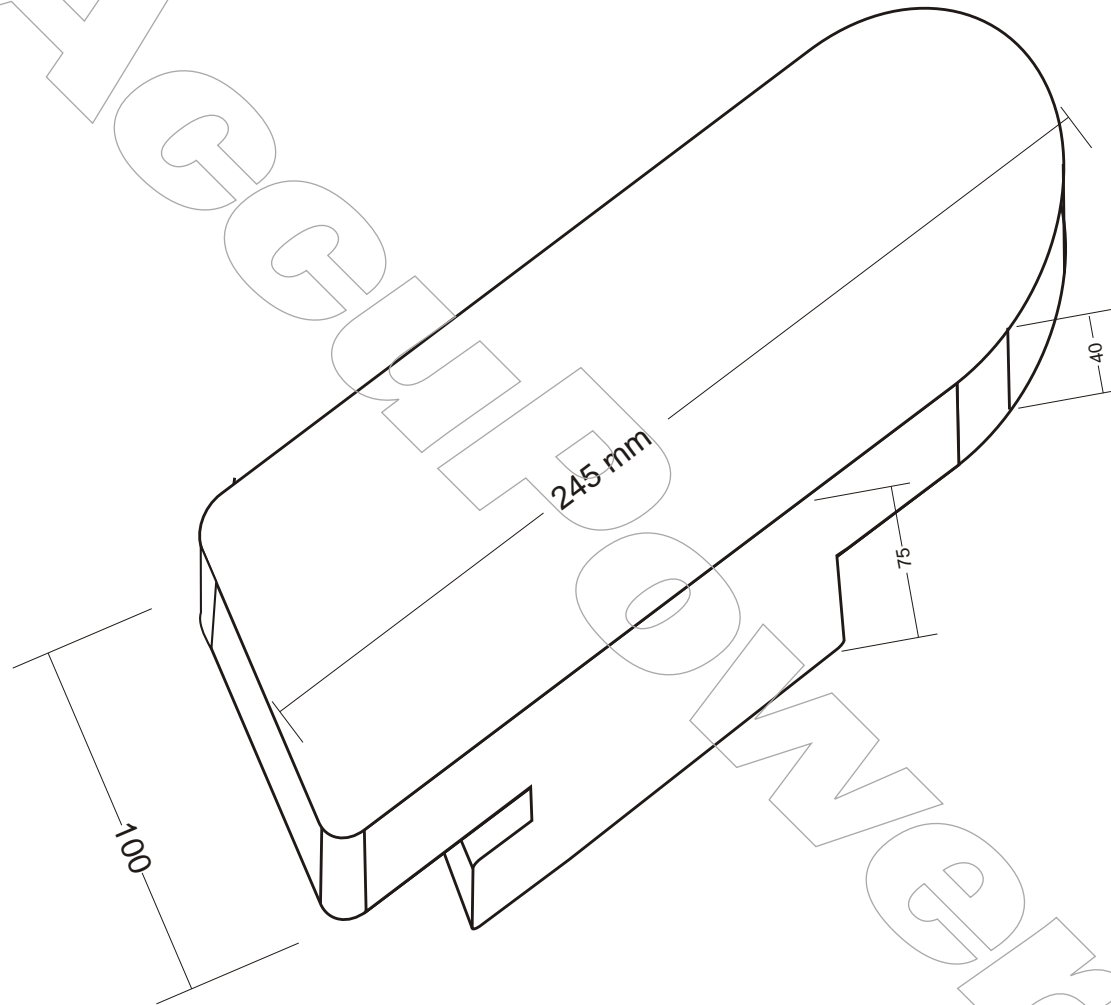
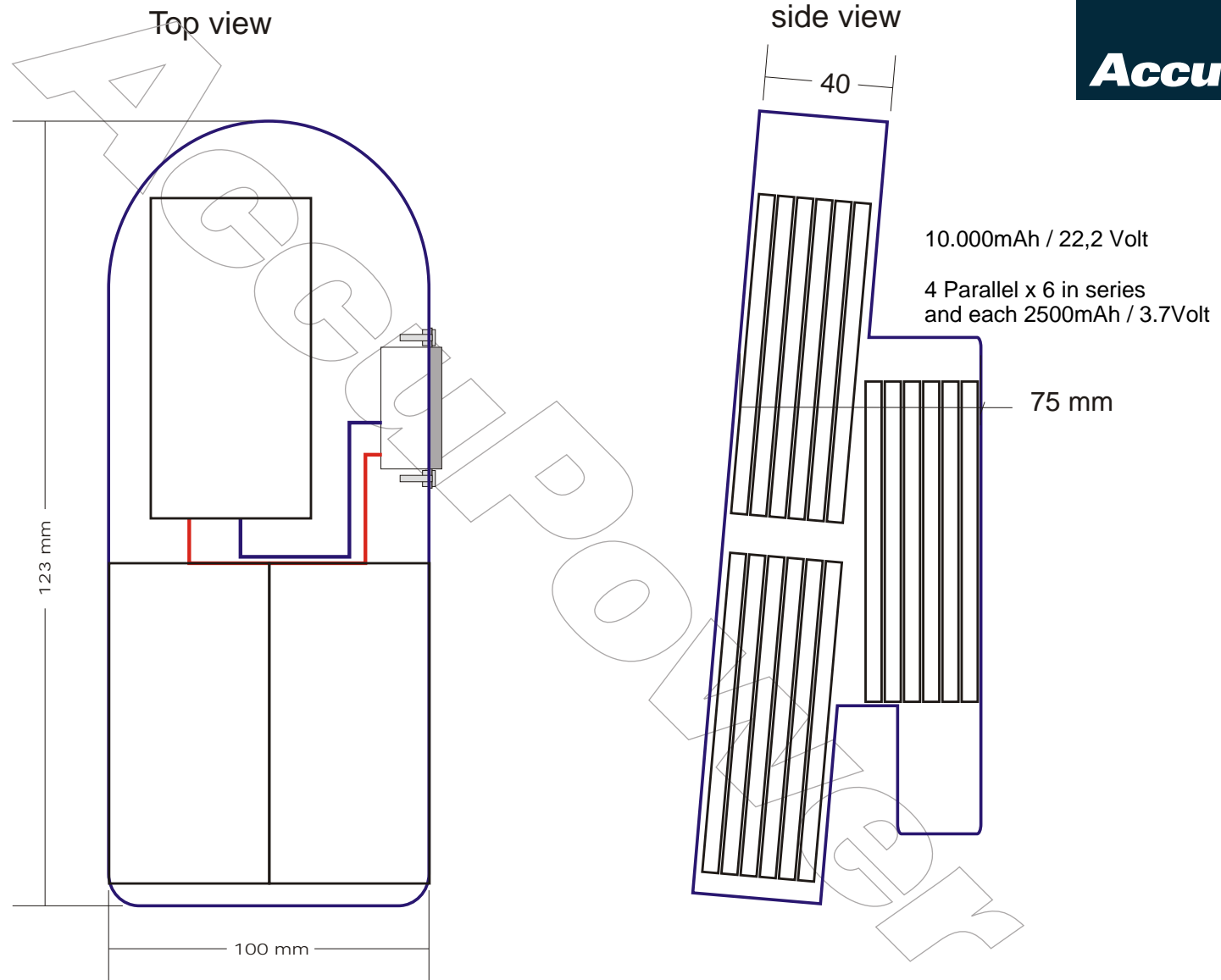


This is a Draft of the case for the battery pack.
The dimensions are approximately and the exact dimensions will be determined later.

AccuPower

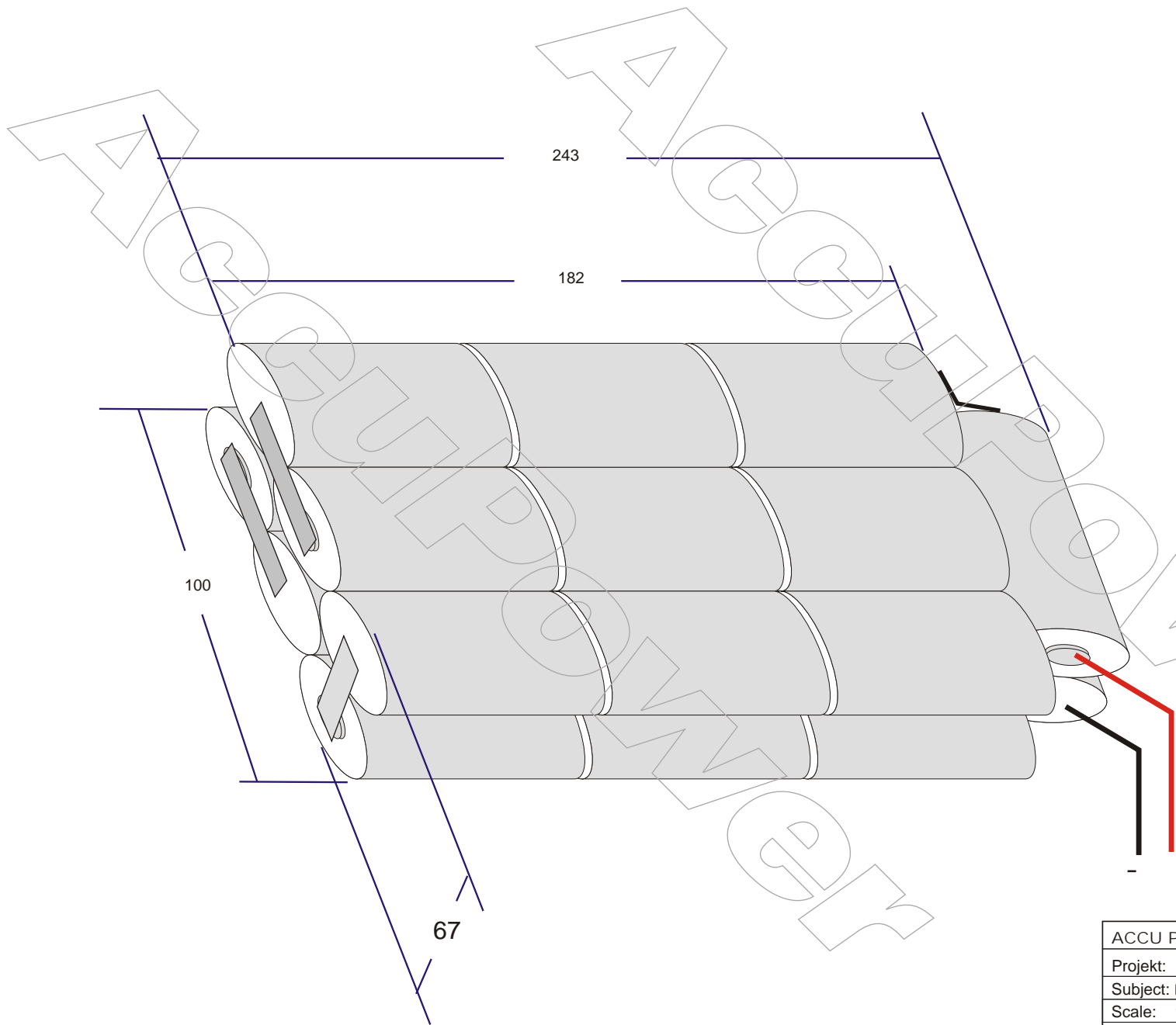


31-01-2008

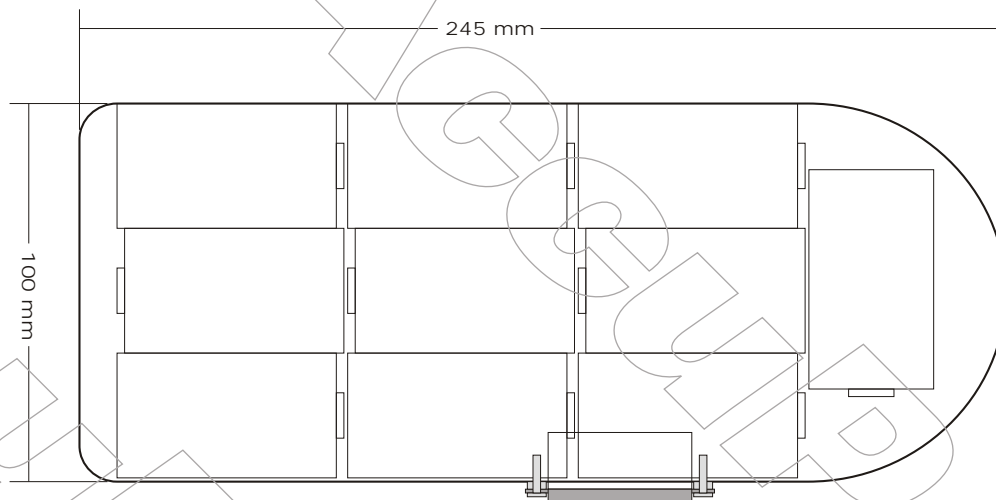


31-01-2008

This is a Draft of the case for the battery pack.
The dimensions are approximately and the exact dimensions will be determined later.



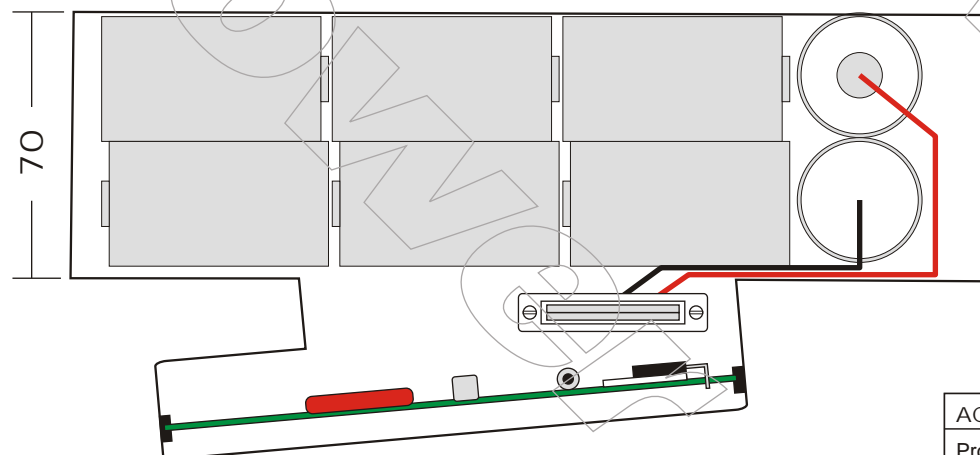
ACCU POWER R&D AUSTRIA	
Projekt:	
Subject: Battery-Pack 22V/10,000mAh/NiMH	
Scale: 1:1	Note:
Sheet: 1 of 2	Designer: Ing. Al-Abassy
Date: 19/02/2008	



Top view

10.000mAh / 24 Volt

D-Size 20x in Serie NiMH 10,000mAh



side view

This is a Draft of the case for the battery pack.
The dimensions are approximately and the exact dimensions will be determined later.

ACCUPOWER R&D AUSTRIA		AccuPower
Projekt:		
Subject: Battery-Pack 22V/10,000mAh/NiMH		
Scale: 1:1	Note:	
Sheet: 2 of 2	Designer: Ing. Al-Abassy	
Date: 19/02/2008		