

Technical Datasheet

CPL372532 Thin Cell 3.0V / 500mAh

Electrical characteristers

Typical values relative to cells stored for one year

⦿ Nominal capacity	500mAh
Discharged capacity at 1.0mA,+25°C, 2V cut off.	
⦿ Nominal voltage	3.0V
⦿ Max. recommended continuous current	100mA
Discharged to 2V at + 25°C permitting 50% of the Nominal capacity to be achieved	
⦿ Max. Pulse current	200mA
15 seconds at 25°C drained with 50% of the nominal capacity ,yield voltage reading above 2V. The value may vary with the pulse characteristics,the temperature and the cell's previous history.	
⦿ Storage	Max 30°C
⦿ Operating temperature range	-20~+60°C
⦿ Weight	≈4.5g

⚠ Warning

Don't charge crush,disassemble,expose contents to water,heat above 80°C, or may lead to explosion, burn or goods leakage.Discarded battery should be buried deeply to the ground.

Key features

- High and stable operating voltage
- Long shelf life Annual self-discharge rate lower than 2% at +20°C
- Hermetic Sealing
- Compliant with IEC 86-4 safety standard
- Non-restricted for transport

Main applications

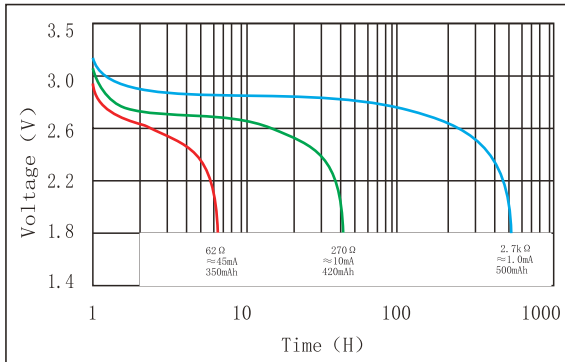
- active tags
- Alarms or security equipment
- Smoke detector
- Memory backup
- Real time clock
- Professional electronic equipment
- Medical equipment

Note:

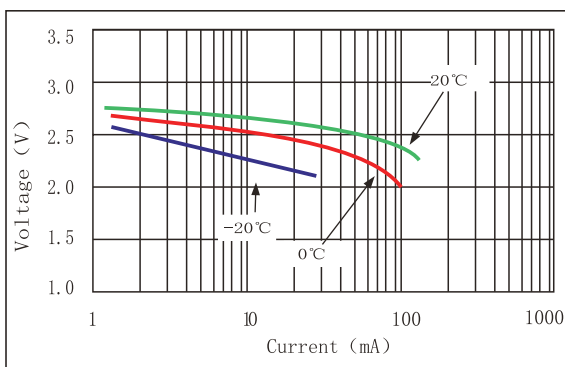
Information and contents in this datasheet are for reference purpose only. They do not constitute any warranty or representation and are subject to change without notice.
All Data contained herein is for single cells. For battery applications, performance data may vary from single cell data, depending on specific battery configuration

Technical Datasheet

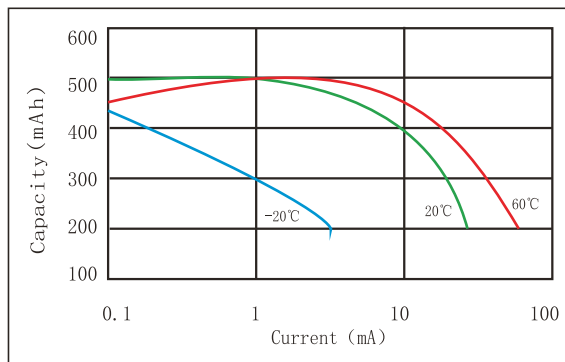
CPL372532 Thin Cell 3.0V / 500mAh



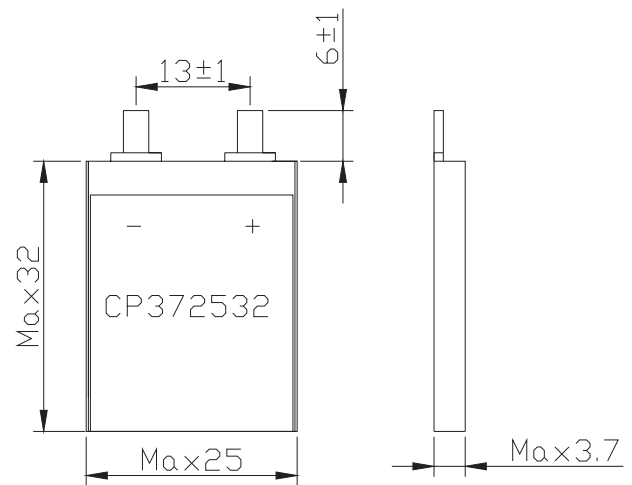
Discharge characteristics at 25°C



Voltage VS Current & Temperature Curve

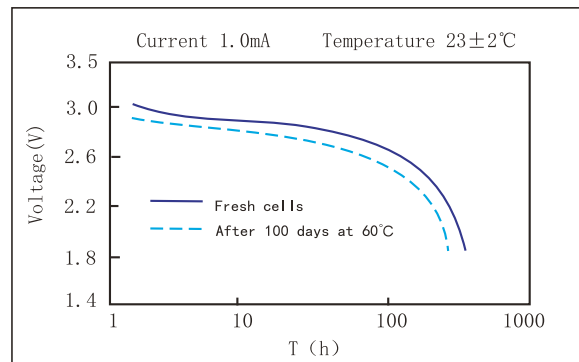


Capacity VS Current & Temperature Curve



Dimensions in mm

Special terminal can be made according to customer's requirement



Storage characteristics

Note:

Information and contents in this datasheet are for reference purpose only. They do not constitute any warranty or representation and are subject to change without notice. All Data contained herein is for single cells. For battery applications, performance data may vary from single cell data, depending on specific battery configuration